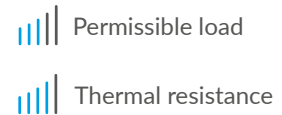
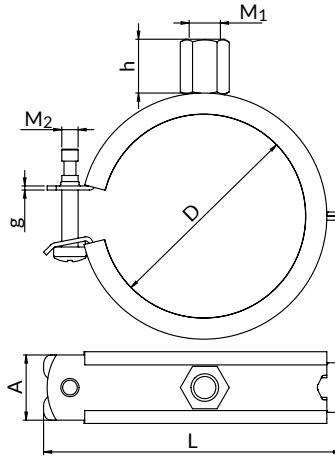


## PIPE CLAMPS WESTA UPGSW

NEW



westa

 electro-galvanized

 single-side screw closure

 M5 screw

 material: EPDM. Thermal resistance: -40°C do +120°C

Scope of diameters D [mm]	Clamp dimensions		Connection			Connection screws M <sub>2</sub>	Permissible load [kN]	Weight 1 pcs [kg]	Quantity [pcs/pkg]	Designation for the order	Catalogue number (BK version)
	L [mm]	A x g [mm]	Size M <sub>1</sub>	Height h [mm]	Version						
10-15	42,4	20x1,0	M8/M10	17,0	D	M5	0,60	0,032	50	UPGSW-1/4	80140221300
15-20	46,1	20x1,0	M8/M10	17,0	D	M5	0,60	0,034	50	UPGSW-3/8	80140221700
21-24	51,2	20x1,0	M8/M10	17,0	D	M5	0,60	0,038	50	UPGSW-1/2	80140222200
25-30	56,3	20x1,0	M8/M10	17,0	D	M5	0,60	0,04	50	UPGSW-3/4	80140222700
31-36	63,2	20x1,0	M8/M10	17,0	D	M5	0,60	0,046	50	UPGSW-1	80140223300
37-45	71,2	20x1,25	M8/M10	17,0	D	M5	0,70	0,056	50	UPGSW-1 1/4	80140224000
47-52	79,8	20x1,25	M8/M10	17,0	D	M5	0,70	0,064	50	UPGSW-1 1/2	80140222000
52-58	85,2	20x1,25	M8/M10	17,0	D	M5	0,70	0,068	50	UPGSW-54	80140225400
58-64	91,2	20x1,25	M8/M10	17,0	D	M5	0,70	0,072	50	UPGSW-2	80140226000